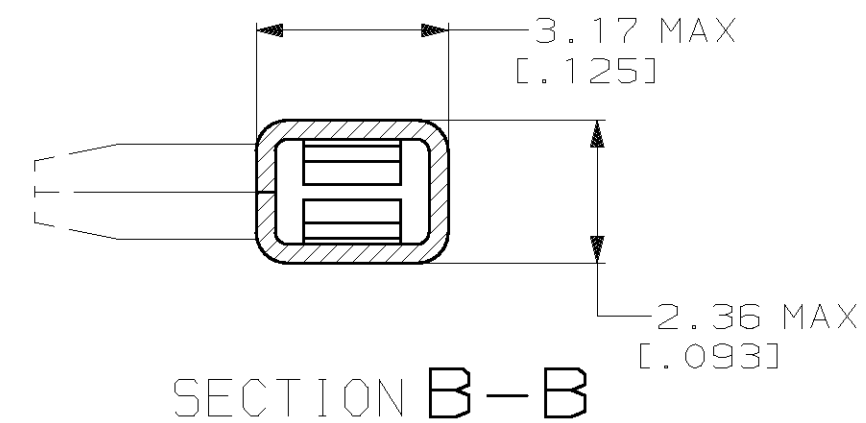
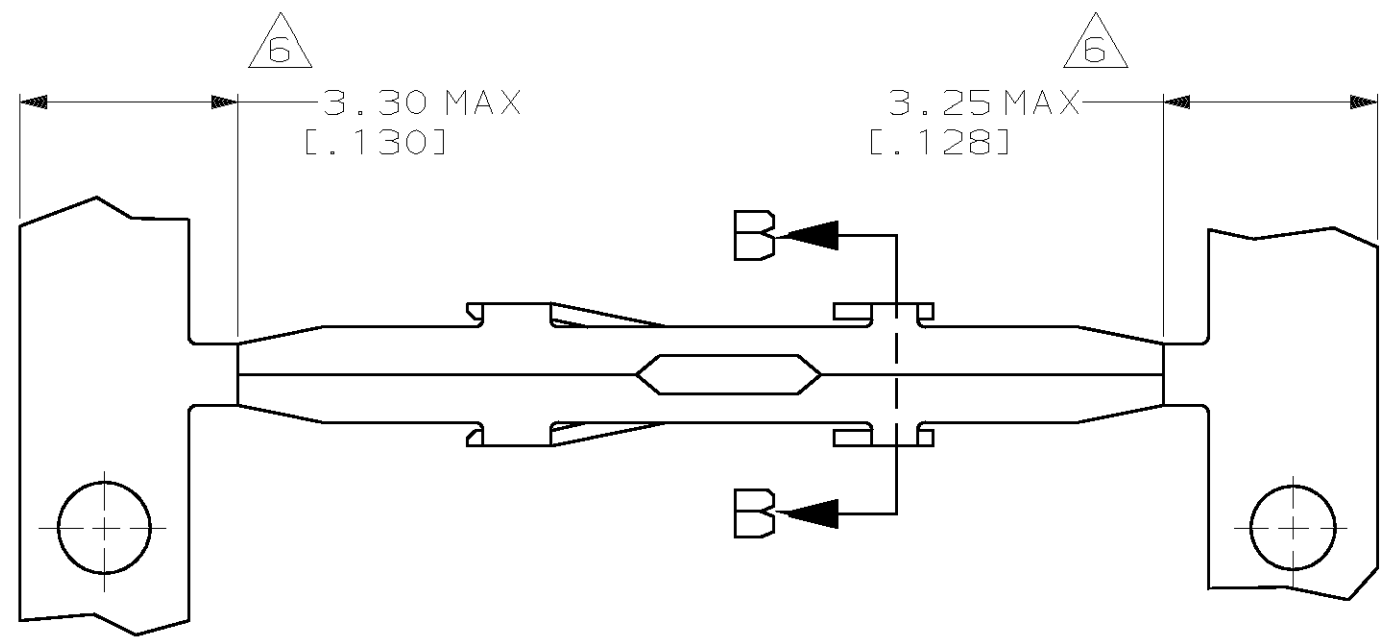
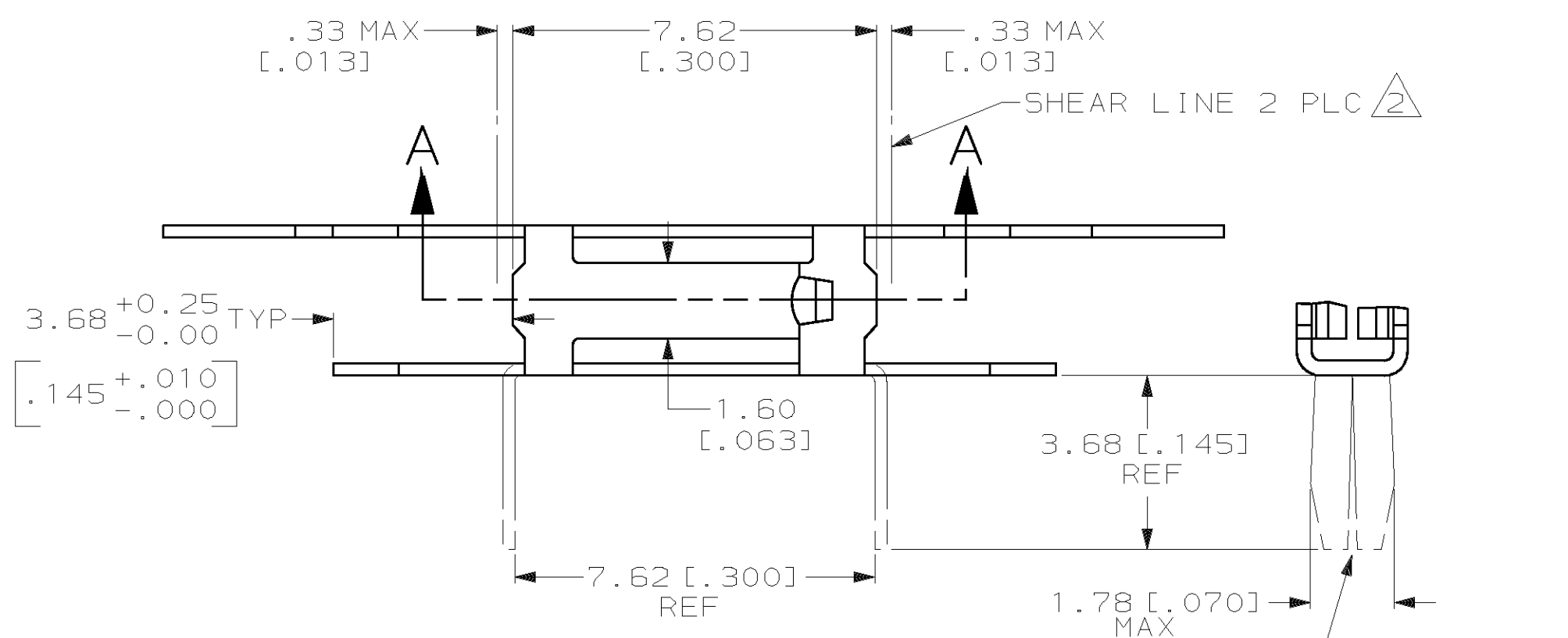
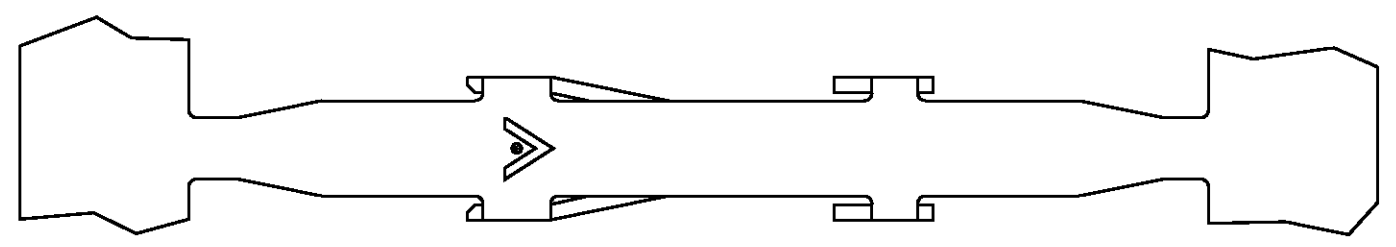
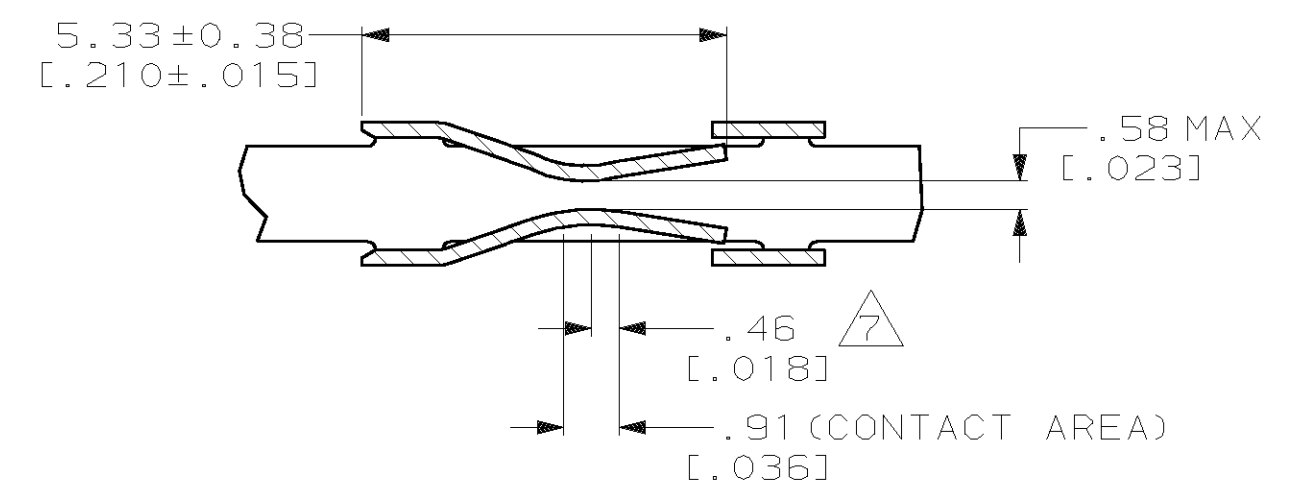


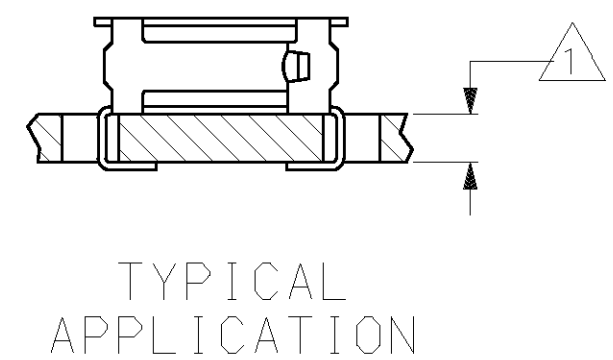
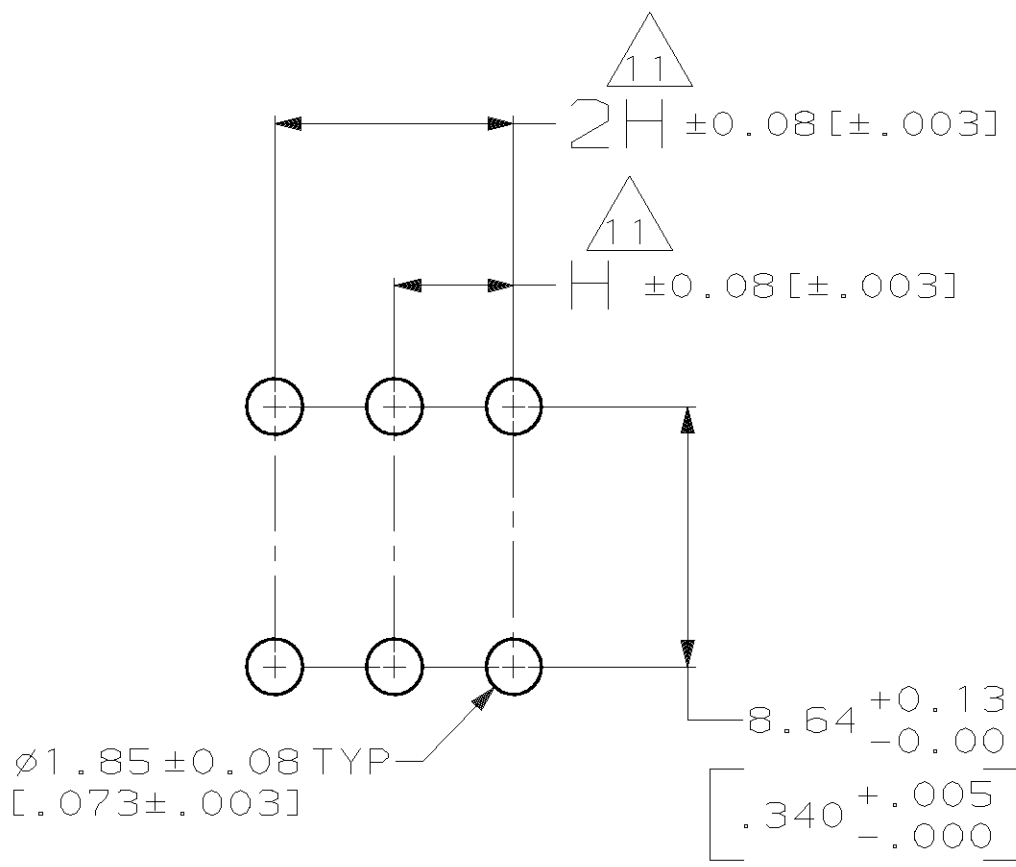
LOC	DIST	P	F	ZONE	LTR	DESCRIPTION	DATE	APPD
AD	39				G	REV PER 0010-1175-95	12-28-96	JH
					H	REV PER 063C-0062-00	11FEB00	MZ



- 1 THICKNESS OF CUSTOMERS P.C. CARD 1.58 [.062] OR 1.36 [.093]
- 2 CONTACT LEGS SHOWN IN PHANTOM AND SHEAR LINES DEFINE LOOSE PIECE PART.
- 3 0.25 [.010] COML. PHOS. BRZ.
- 4 0.00076 [.000030] GOLD OVER 0.00127 [.000050] NICKEL IN CONTACT AREA AND REMAINDER GOLD FLASH OVER 0.00127 [.000050] NICKEL.
- 5 GOLD FLASH OVER 0.00127 [.000050] NICKEL, 0.00038 [.000015] GOLD ON CONTACT AREA.
- 6 GOLD PLATING NOT REQUIRED IN THIS AREA.
- 7 POINT OF MEASUREMENT FOR PLATING THICKNESS.
- 8 0.00254 [.000100] TIN OVER 0.00127 [.000050] NICKEL.
- 9 0.00076 [.000030] GOLD OVER NICKEL.
- 10 0.00254-0.00508 [.000100-.000200] BRIGHT TIN OVER 0.00076-0.00178 [.000030-.000070] NICKEL.
- 11 "H" RECEPTACLE CENTERS MAY VARY DEPENDING ON REQUIREMENTS. MINIMUM NOMINAL CENTERLINE SPACING BETWEEN ADJACENT RECEPTACLES IS 3.18 [.125].
- 12 0.00200 [.000079] MIN TIN.



SECTION A-A				
OBSOLETE	86434-7	5	3	86432-9
	86434-6	4	3	86432-8
	-	-	-	-
OBSOLETE	86434-5	8	3	86432-5
OBSOLETE	86434-4	9	3	86432-4
OBSOLETE	86434-3	-	3	86432-3
OBSOLETE	86434-2	10	3	86432-2
	86434-1	12	3	86432-1
LOOSE PIECE PART NO.	FINISH	MATERIAL	PART NUMBER	



THIS DRAWING IS A CONTROLLED DOCUMENT FOR AMP INCORPORATED. IT IS SUBJECT TO CHANGE AND THE CONTROLLING ENGINEERING ORGANIZATION SHOULD BE CONTACTED FOR THE LATEST REVISION.

DO NOT SCALE PRINT. UNLESS SPECIFIED DIMENSIONS IN mm [INCHES] TOLERANCES ON : 2 PLC DEC ± - 3 PLC DEC ± 0.13 [.005] ANGLES ± -	DR 28-DEC-96 E. BRANDBERG CHK 28-DEC-96 J. HERRINGTON APPD 28-DEC-96 J. HERRINGTON APPD 28-DEC-96 D. TROUT	AMP Incorporated Harrisburg, PA 17105-3608	
MATERIAL SEE TABLE	PRODUCT SPEC -	NAME FEMALE CONTACT HORIZONTAL, COMMERCIAL CONNECTOR, MOD I, HIGH PRESSURE	
FINISH SEE TABLE	APPLICATION SPEC -	SIZE C 00779	CAGE CODE C=86432
WEIGHT -	SCALE 8:1	DRAWING NO C=86432	SHEET 1 OF 1